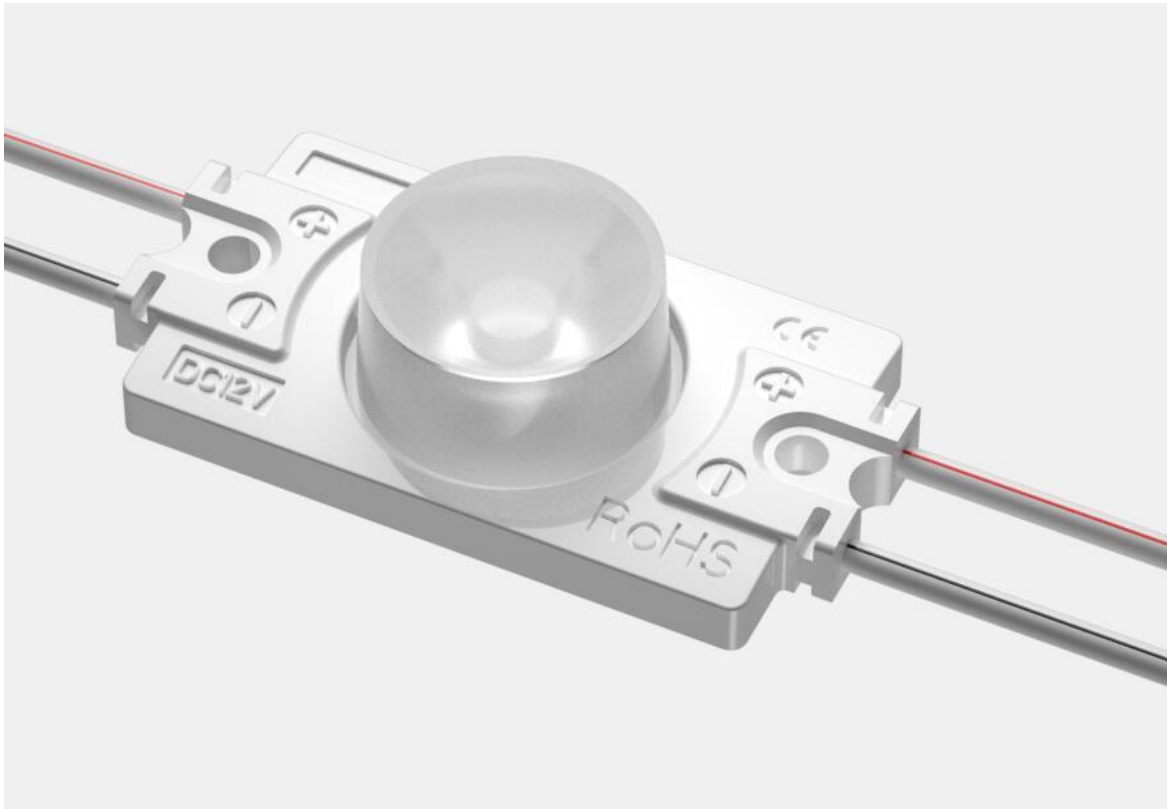
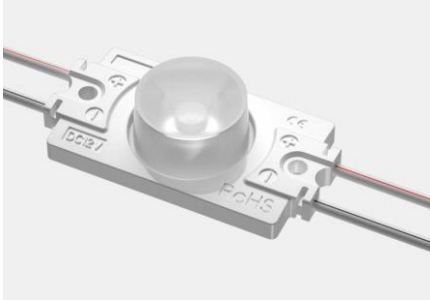


Best for T10cm+ huge light box side lighting



UTW996B



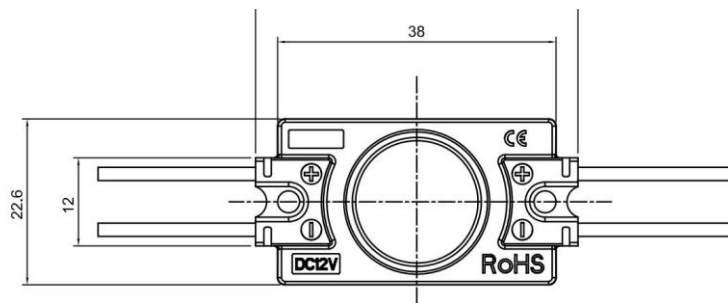
◆ Features

- ✧ Constant Current Technology, 20pcs per series
- ✧ The exposed Aluminum plate for heat dissipation
- ✧ Injection molding process, Waterproof: IP 67
- ✧ EMC LED, High brightness and reliability
- ✧ Energy saving, Environment friendly
- ✧ Long life span
- ✧ Easy mounting system
- ✧ Suitable for 10-25cm thickness single or double side light boxes.

◆ Applications

- ✧ Commercial standing lighting
- ✧ Light box lighting

◆ Dimensions

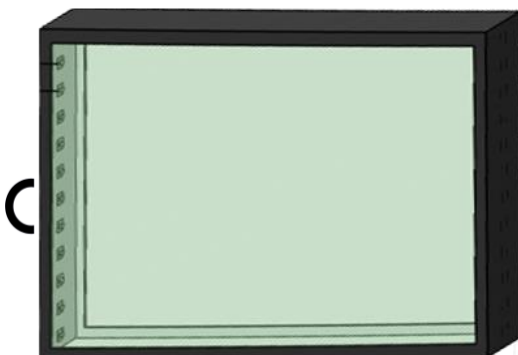


Note: The pitch is variable.

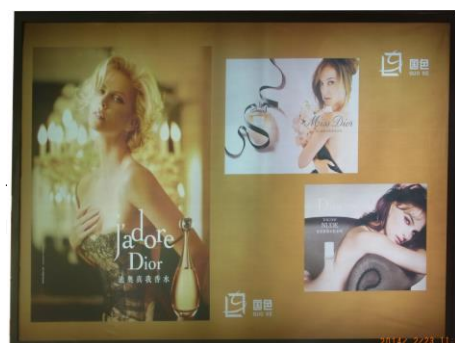
◆ Technical parameters

Part no.	Color	Wave Length or CCT	Operating Voltage	Rated Power per module	Beam Angle	Lm Flux per module	IP Rank
UTW996B	Pure white	6000-7000K	DC12V	1.32W	10×50°	125lm	IP67

◆ Application Guide



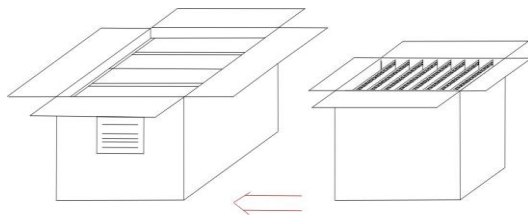
1
 CONSTANT CURRENT
 DRIVING SYSTEM



◆ Attentions

1. Maximum number of modules per chain is 20pcs from power supplier to single end.
2. The parameters may change as the type of material of lighting boxes or channel letters.
3. The LED module including its components can't be mechanical stressed.
4. Please ensure that the power supply is adequate power to operate the total load.
5. Only professionals can tear down, install or maintain LED modules.
6. All of box materials used for installation have to meet anti-flame rules and related so on.
7. Power supply should be short circuit and overloading protection, and total power should be less than rated power 80% of that power.
8. Operating Temperature: $-25\sim 55^{\circ}\text{C}$.

◆ Packing



1. 30pcs per chain, 2pcs chain in one Anti-static bag. (60pcs in one Anti-static bag).
2. 5bags in one small carton. ((300pcs in one small carton).
3. One outer carton contains two small cartons (600pcs in one outer carton).