

# Product specification

Model: UTW814A

File No:

Version: V1.0

Date	Version	Change history	Author	Approve
2015.09.04	V1.0		Yan Gui	

# UTX814A



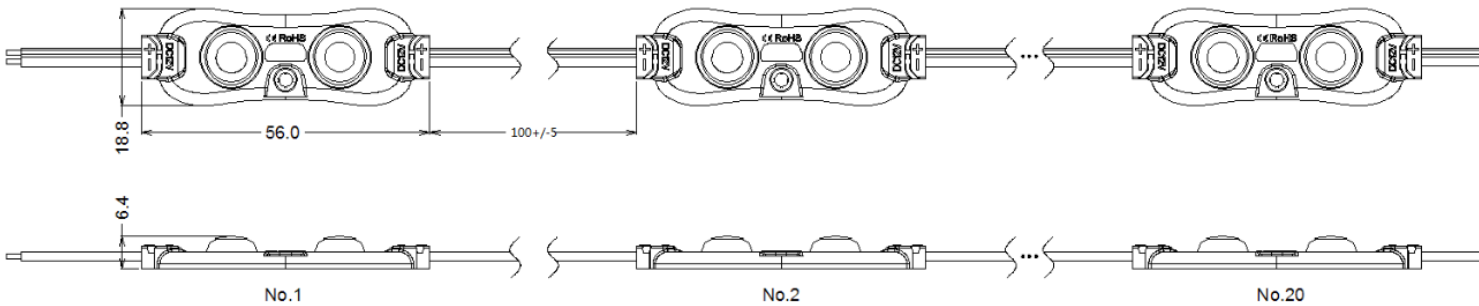
## 1. Features

- ✧ Constant Voltage Technology, 20 pcs per chain
- ✧ Injection molding process
- ✧ Energy saving, environment friendly
- ✧ Long life span
- ✧ 2 Pcs 2835 LED

## 2. Applications

- ✧ Channel letter lighting
- ✧ Commercial standing lighting
- ✧ Letter background lighting
- ✧ Light box lighting
- ✧ Logo lighting
- ✧ Line/shape lighting

## 3. Dimensions



## 4. Environmental and Application Conditions

Ambient temperature range (TA on free air)	-25.....+55°C
Storage temperature range	-40.....+65°C
IP rating	IP67

## 5. Electrical parameters

LED	9V 2835
Supply voltage range (rated)	12 VDC
Supply Current range (per module)	80 mA @ DC12V

Power range (per module, rated)	0.96 W @ DC12V
---------------------------------	----------------

*Note: The current will change in a certain range if the supply voltage changes.*

6. Optical parameters (module base)

Part No.	Color Range			Flux Range		Beam angle
	Min. CCT or wavelength	Typ. CCT or wavelength	Max. CCT or wavelength	Min. Lumen	Typ. Lumen	
Warm white	2700 K	3000 K	3200 K	85	90	160°
Pure white	6000 K	6500 K	7000 K	85	90	160°
Cool white	9000 K	10000 K	12000 K	85	90	160°

7. Light distribution graph

