

Product specification

Model: UTX523B

File No:

Version: V1.0

Date	Version	Change history	Author	Approve
2017.10.20	V1.0		Ray He	

Best for 6+cm Depth Light Box



UTX523B



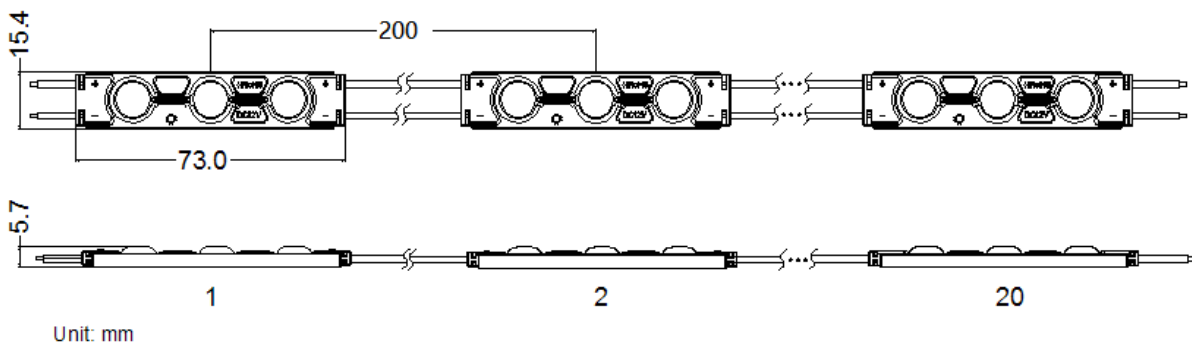
1. Features

- ✧ Constant current, 20pcs per series
- ✧ Injection molding process, water proof: IP 67
- ✧ High efficiency chip, high brightness and reliability
- ✧ Energy saving, environment friendly
- ✧ Long life span

2. Applications

- ✧ Commercial standing lighting
- ✧ Light box lighting

3. Dimensions



4. Environmental and Application Conditions

Ambient temperature range (TA on free air)	-25...+55 °C
Storage temperature range	-40...+65 °C
IP rating	IP67

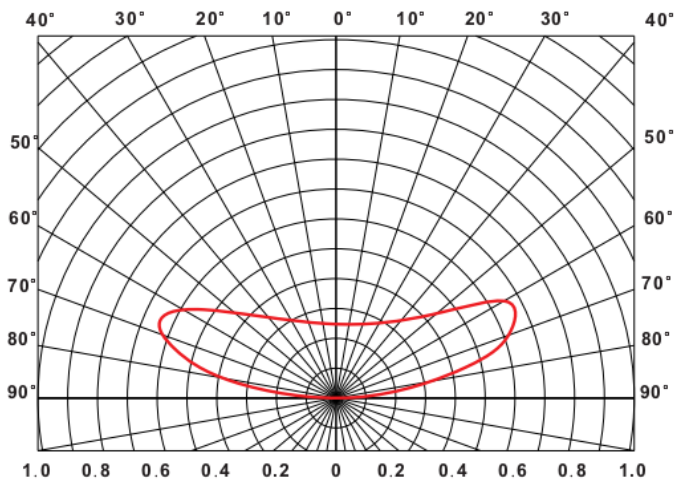
5. Electrical parameters

LED	9V2835
Supply voltage range (rated)	12 VDC
Supply Current range (per module)	91mA
Power range (per module, rated)	1.1W max

6. Optical parameters (module base)

Part No.	Color Range			Flux Range		Beam angle
	Min. CCT or wavelength	Typ. CCT or wavelength	Max. CCT or wavelength	Min. Lumen	Typ. Lumen	
UTW523B	6000 K	6500 K	7000 K	95	100	160°
UTC523B	9000K	10000K	12000K	95	100	160°

7. Light distribution graph



8. Attention

- Maximum number of modules of one chain is 20pcs from power supplier to single end.
- The given Illuminance parameters ensure Illuminance on the surface. Depending on the type of material used for channel letters or lighting boxed, the parameters can change. More brightness is obtained if distances between LED modules are reduced.
- The LED module itself and all its components may not be mechanical stressed.
- Please ensure that the power supply is adequate power to operate the total load. Only qualified personnel should be allowed to perform installations.
- The design of the housing should be according to the IP standards in the application.
- If surge protection structure not within power supplier, a lightning protector should be needed additionally.