

Product specification

Model: UTW810A

File No:

Version: V1.0

Date	Version	Change history	Author	Approve
2015.09.04	V1.0		Yan Gui	

Best for 80+mm Depth Channel Letters



UTX801A



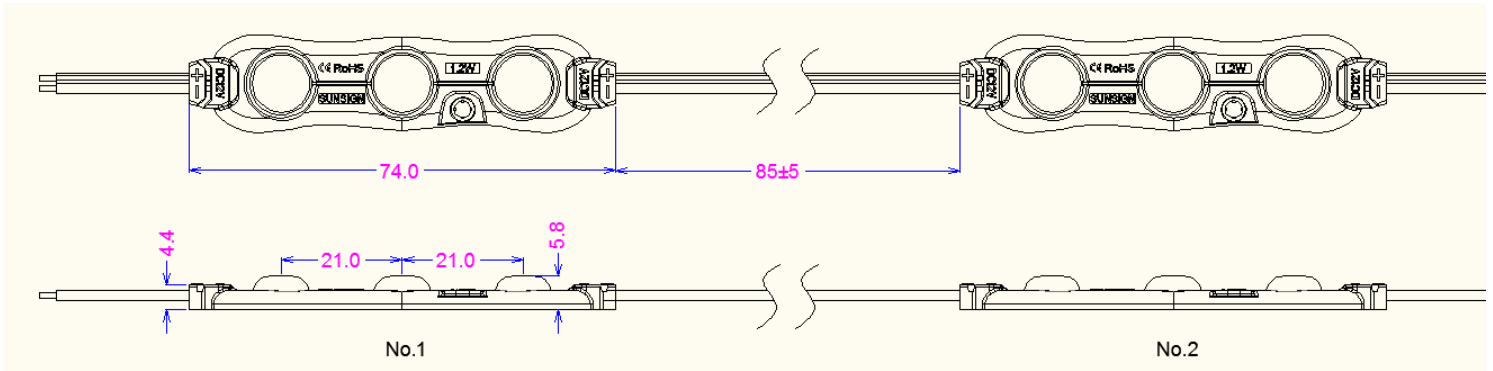
1. Features

- ✧ Constant Voltage Technology, 20 pcs per chain
- ✧ Injection molding process
- ✧ Energy saving, environment friendly
- ✧ Long life span

2. Applications

- ✧ Channel letter lighting
- ✧ Letter background lighting
- ✧ Logo lighting

3. Dimensions



4. Environmental and Application Conditions

Ambient temperature range (TA on free air)	-25...+55°C
Storage temperature range	-40...+65°C
IP rating	IP65

5. Electrical parameters

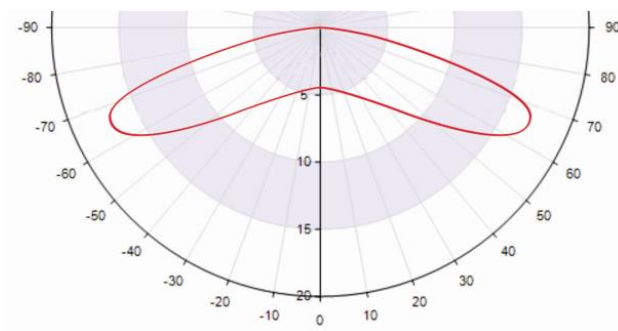
LED	9V 2835
Supply voltage range (rated)	12 VDC
Supply Current range (per module)	120 mA ±6mA @ DC12V
Power range (per module, rated)	1.44 W ±10% @ DC12V

Note: The current will change in a certain range if the supply voltage changes.

6. Optical parameters (module base)

Part No.	Color Range			Flux Range		Beam angle
	Min. CCT or wavelength	Typ. CCT or wavelength	Max. CCT or wavelength	Min. Lumen	Typ. Lumen	
Warm white	2700 K	3000 K	3200 K	110	120	160°
Pure white	6000 K	7000 K	8000 K	110	120	160°
Cool white	9000 K	15000 K	22000 K	110	120	160°

7. Light distribution graph



8. Attention

- Maximum number of modules of one chain is 20pcs from power supplier to single end.
- The given illuminance parameters ensure illuminance on the surface. Depending on the type of material used for channel letters or lighting boxed, the parameters can change. More brightness is obtained if distances between LED modules are reduced.
- The LED module itself and all its components may not be mechanical stressed.
- Please ensure that the power supply is adequate power to operate the total load. Only qualified personnel should be allowed to perform installations.
- The design of the housing should be according to the IP standards in the application.
- If surge protection structure not within power supplier, a lightning protector should be needed additionally.