

Best for 80-300 mm depth light
boxes and channel letters



UTX367B



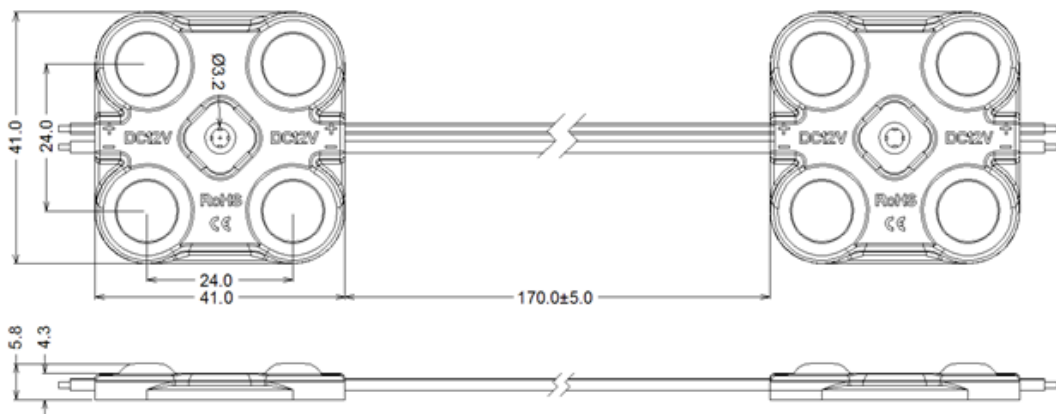
Features

- ✧ Constant Current Technology (CCT), 25pcs per series
- ✧ The exposed Aluminum plate for heat dissipation
- ✧ Injection molding process, Waterproof: IP 67
- ✧ Bigger chip, 10% brighter than before
- ✧ Energy saving, Environment friendly
- ✧ Long life span
- ✧ Suitable for channel letters and light boxes back lighting etc.

Applications

- ✧ Channel letter lighting
- ✧ Commercial standing lighting
- ✧ Letter background lighting
- ✧ Light box lighting
- ✧ Logo lighting
- ✧ Line/shape lighting

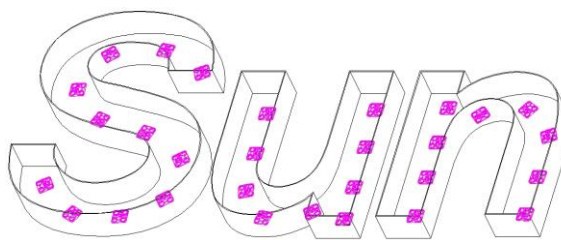
Dimensions



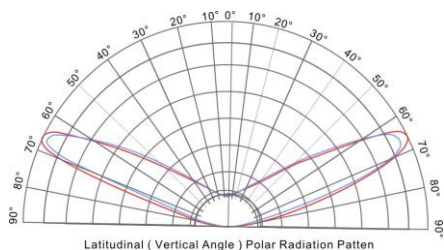
Technical parameters

| Part no. | Color | Wave Length Or CCT | Operating Voltage | Rated Power per module | Beam Angle | Lm Flux per module | IP Rank |
|----------|------------|-----------------------|----------------------|---------------------------|---------------|-----------------------|---------|
| UTW367B | Pure white | 6000-7500K | DC12V | 2W | 160° | 180lm | IP67 |
| UTC367B | Cool white | 9000-16000K | DC12V | 2W | 160° | 180lm | IP67 |
| UTM367B | Warm white | 2700-300K | DC12V | 2W | 160° | 180lm | IP67 |

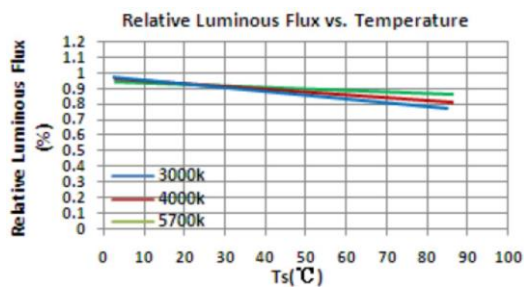
Application Guide



Led module light distribution graph



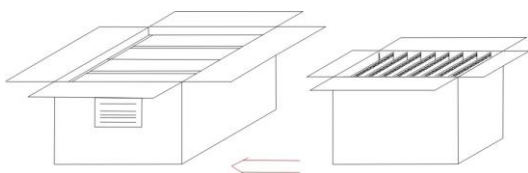
Temperature and luminous flux



Attention

1. Max. number of modules of one chain is 25pcs from power supplier to single end.
2. The given illuminance parameters ensure illuminance on the surface.
3. Depending on the type of material used for channel letters or lighting boxed, the parameters can change.
4. More brightness is obtained if distances between LED modules are reduced.
5. The LED module itself and all its components may not be mechanical stressed.
6. Please ensure that the power supply is adequate power to operate the total load. Only qualified personnel should be allowed to perform installations.
7. The design of the housing should be according to the IP standards in the application.
8. If surge protection structure not within power supplier, a lightning protector should be needed additionally.

Packing



1. Outil carton: 52x37x26cm, small carton: 35x25x23cm, Anti-static bag: 305x280x0.07mm.
2. 25pcs per chain, 4pcs chain in one Anti-static bag . (100 pcs in one Anti-static bag).
3. 5 bags in one small carton . (500 pcs in one small carton).
4. One outal carton contains two small cartons (1000 pcs in one outal carton).